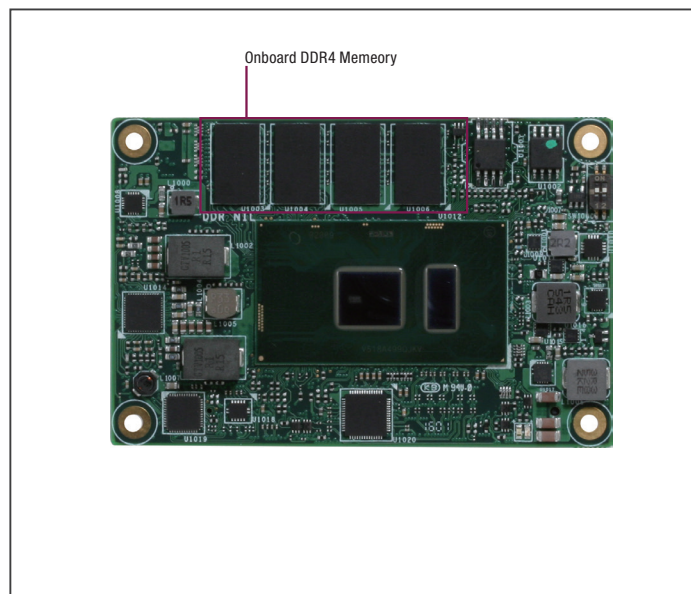


COM Express Type 10 with Intel® 6th Gen Core™ ULT Series Processor



Features

- Intel® 6th Gen Core™ ULT Series CPU
- Onboard 4GB DDR4 2133 Memory
- Gigabit Ethernet x 1
- 18/24-bit Single-Channel LVDS LCDs/eDP, DDI x 1
- High Definition Audio Interface
- SATA x 2
- USB3.0 x 2, USB2.0 x 8
- PCI-Express [x1] x 4
- GPIO x 8, SMBus, I2C, LPC
- COM Express Type 10
- Mini Size, 84mm x 55mm

Specifications

System	
Form Factor	COM Express Mini size, Type 10
CPU	6th generation Intel® Core™ ULT Series Processor
CPU Frequency	Up to i7-6600U, 2c/4t, 2.6GHz up to 3.4GHz
Chipset	Intel® Core™/Celeron® Processor SoC
Memory Type	Non-EEC DDR4-2133
Max. Memory Capacity	4GB DDR4 Onboard
BIOS	AMI BIOS, Legacy free
Wake on LAN	Yes
Watchdog Timer	255 Levels
Power Requirement	Normal: +12V
Power Supply Type	AT/ATX
Power Consumption (Typical)	i7-6600U 12V@1.5A, i3-6100U 12V@1.42A. Under 100% loading. CPU Set to 15W TDP. CPU base frequency may change accordingly.
Dimension (L x W)	3.31" x 2.17" (84mm x 55mm)
Operating Temperature	32°F ~ 140°F (0°C ~ 60°C) -40°F ~ 185°F (-40°C ~ 85°C)
Storage Temperature	-40°F ~ 176°F (-40°C ~ 80°C)
Operating Humidity	0% ~ 90% relative humidity, noncondensing
MTBF (Hours)	80,000
Certification	CE/FCC Class A
Display	
VGA/LCD Controller	Onboard 6th gen. intel® Core™ U-Series Processor, GT2-520/510
Video Output	LVDS/eDP, DDI x 1
LVDS Interface	Supports 18-bit and 24-bit Single channel
I/O	
Ethernet	Intel® I219 GbE
Audio	High Definition Audio Interface
USB Port	USB 2.0 x 8, USB 3.0 x 2
Serial Port	2-wire UART x 2 (TX/RX)
HDD Interface	SATA x 2
Onboard Storage	—
Expansion Slot	PCIe[x1] x4 (up to 4 devices) LPC SMBus I2C
GPIO	8-bit
TPM	fTPM optional



Packing List

- NANOCOM-SKU

Optional Accessories

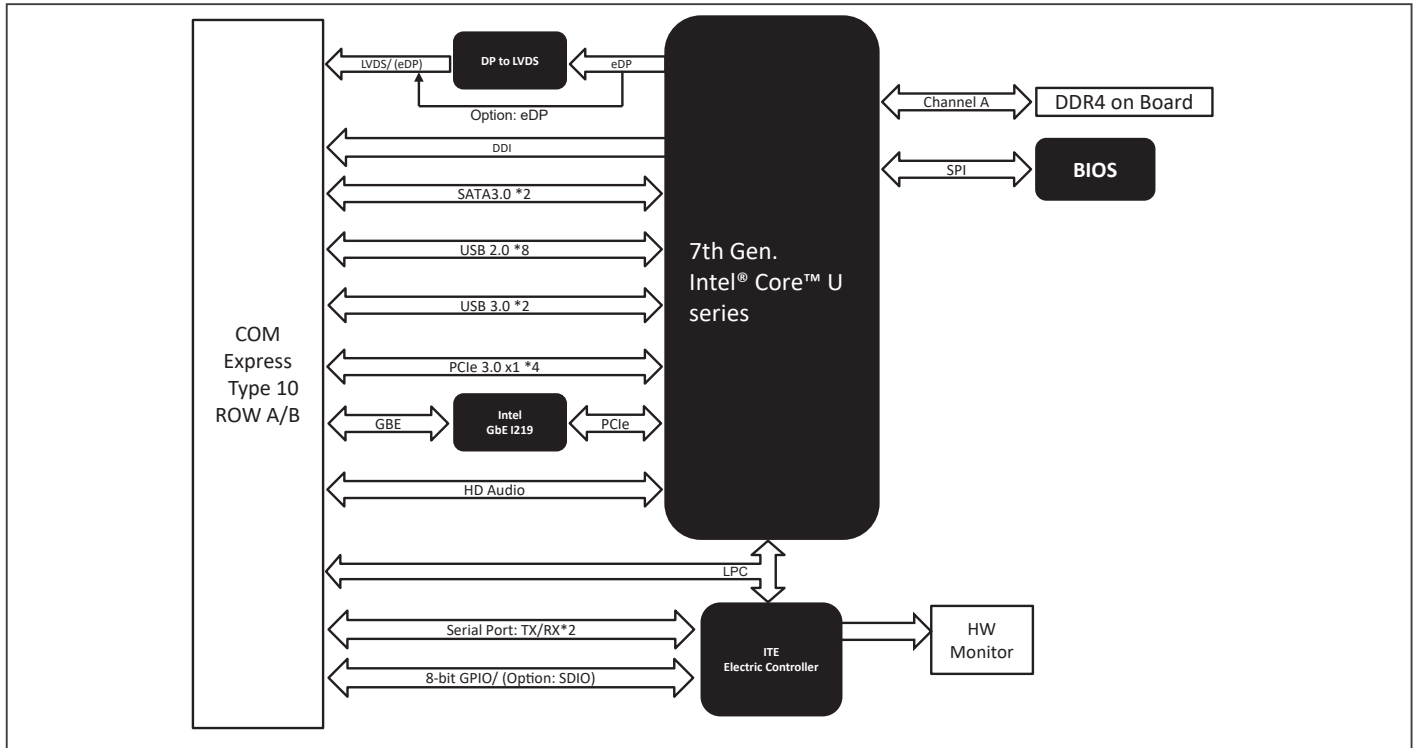
- **ECB-920A-A10-0001**
COMe Type 1/6/10. Carrier Board. ATX. GbE. 8USB. COM. 4SATA. PCIe. AT/ATX. Legacy Free. Rev. A1.0
- **NANOCOM-SKU-HSP01**
Heat Spreader, 84 x 55 x 11 mm, black, NanoCOM-SKU
- **NANOCOM-FAN01**
CPU Cooler, 84 x 55 x 22.2 mm, silver, use w/ HSP
- **NANOCOM-FAN02**
CPU cooler, 84 x 55 x 22.2 mm, silver, use w/HSP.WITAS II

CPU Support Chart

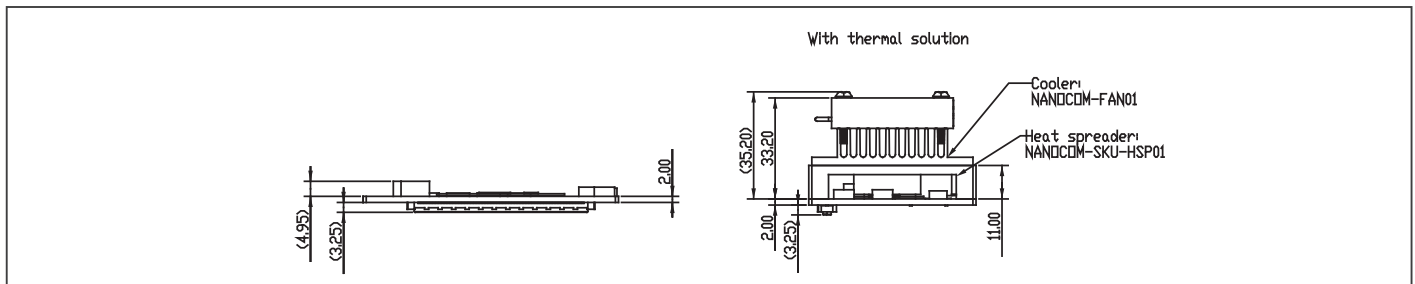
CPU	Base Frequency/ Turbo Boost GHz	Core/ Thread	Last level Cache	TDP	Graphic
i7-6600U	2.6/3.4	2/4	4M	15W	GT2 - 520
i5-6300U	2.4/3.0	2/4	3M	15W	GT2 - 520
i3-6100U	2.3	2/4	3M	15W	GT2 - 520
C-3955U	2	2/2	2M	15W	GT1 - 510

*Contact us for any questions

Block Diagram Unit: mm



Dimension Unit: mm



Ordering Information

Standard Part Number	COM Express Type	CPU	Memory	Display	LVDS	Storage	LAN	USB	UART	Expansion Slot	Power	Power Temp	Others
NANOCOM-SKU-A10-0001	10 (COM.0 Rev 2.1)	6th Gen. Intel® Core™ i7-6600U 2c/2.66GHz	4GB DDR4	LVDS/(eDP), DDI x1	18/24b 1CH (LVDS share with eDP)	SATA x2	GbE x1	USB3.0 x2 USB2.0 x8	2 (Tx/Rx)	PCI-E[x1] x4	12V	0°C~60°C	I2C, SMBus, 8b-GPIO/(SDIO)
NANOCOM-SKU-A10-0003	10 (COM.0 Rev 2.1)	6th Gen. Intel® Core™ i3-6100U 2c/2.36GHz	4GB DDR4	LVDS/(eDP), DDI x1	18/24b 1CH (LVDS share with eDP)	SATA x2	GbE x1	USB3.0 x2 USB2.0 x8	2 (Tx/Rx)	PCI-E[x1] x4	12V	0°C~60°C	I2C, SMBus, 8b-GPIO/(SDIO)